



FEATURES

- Accuracy : ± 0.025% RO.
- Self powered
- Excellent long term stability (4~20 mA,500 Ω)
- High impulse & surge protection (5KV)
- The case can be mounted on s 35mm rail which complies with DIN 46277



DESCRIPTION

S3-FD transducer to measure power frequency and provide a DC output directly proportional to the change of input within the specified span. The input signal is shaped to square wave by the wave shapers circuit. The duty cycle of the square wave is change with the frequency of the input signal. Then the square wave is fed into an integrated circuit and the produced DC output is proportional to the input frequency.

SPECIFICATION

● Input

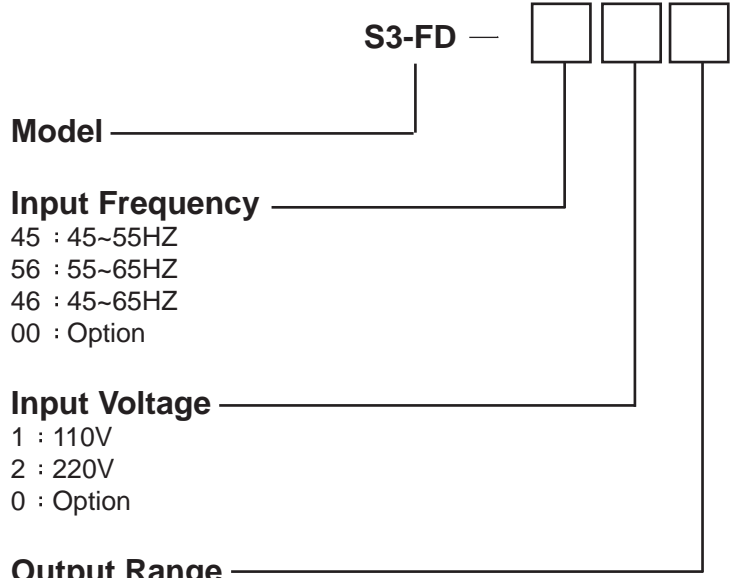
Input Range		Input Burden	Max. Input Over Capability
Frequency	Voltage		
45~55HZ	110V ±20%	≲3.5VA	1.2 x rated continuous
55~65HZ	or		2 x rated 10 secs.
45~65HZ	220V ±20%		4 x rated 2 sec.

● Output

DC Output Range	Load Resistance	Output Resistance	Output Ripple	Response Time
0~1V	≳1K Ω	≲0.05 Ω	≲0.5%RO. (peak)	≲400ms. 0~99%
0~5V				
1~5V				
0~10V	0~10K Ω	≳20M Ω		
0~1mA				
0~10mA	0~1K Ω	≳5M Ω		
0~20mA	0~500 Ω			
4~20mA				

Accuracy ± 0.025% Rated to Output
Output load effect ≲0.025% RO.
Magnetic field strength ≲0.025% RO. 400A/M
Span adjustment range ≳5%RO.
Zero adjustment range ≳1%RO.
Operating temperature range 0~60°C
Storage temperature range -10~70°C
Temperature coefficient ≲100PPM from 0 to 60°C
..... ≲60PPM, 25°C ± 10°C
Max. relative humidity95%
Isolation Input/output/case
Insulation resistance ≳100M Ω, DC 500V
Dielectric withstand voltage Between input/output/case
(IEC 414,688,ANSI C37) AC 2.6KV,60HZ,1min
Impulse withstand test5KV,1.2 x 50 μs
(IEC 255-4,ANSI C37 90a) Common mode & differential mode
Performance Designed to comply with IEC688
Safety requirement IEC414, BS5458

ORDERING INFORMATION



Model

Input Frequency

- 45 : 45~55HZ
- 56 : 55~65HZ
- 46 : 45~65HZ
- 00 : Option

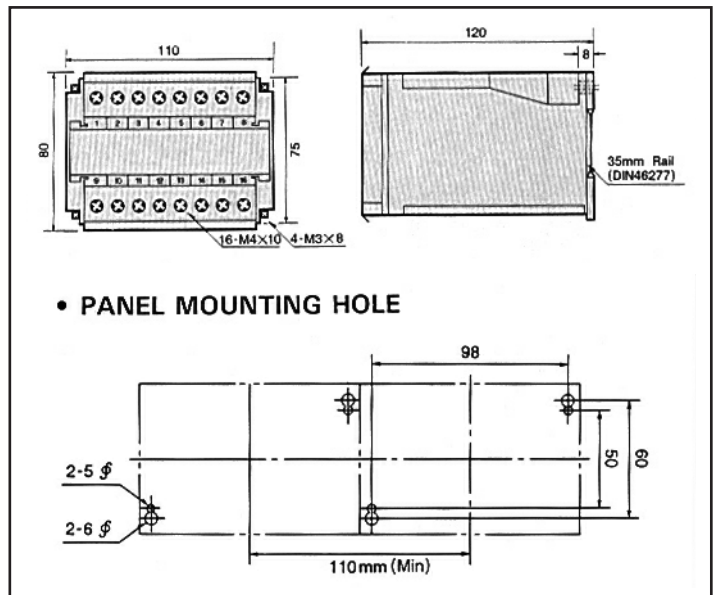
Input Voltage

- 1 : 110V
- 2 : 220V
- 0 : Option

Output Range

- V1 : 0~1V A1 : 0~1mA
- V2 : 0~5V A2 : 0~10mA
- V3 : 1~5V A3 : 0~20mA
- V4 : 0~10V A4 : 4~20mA
- 00 : Option

THE OUTSIDE DIMENSION (UNIT:mm)



CONNECTION DIAGRAM

